

# **BODY AND ACCESSORIES**

## **CONTENTS**

<b>SECTION 9A</b>	<b>BODY WIRING SYSTEM</b>
<b>SECTION 9B</b>	<b>LIGHTING SYSTEMS</b>
<b>SECTION 9C</b>	<b>HORNS</b>
<b>SECTION 9D</b>	<b>WIPERS / WASHER SYSTEMS</b>
<b>SECTION 9E</b>	<b>INTRUMENTATION / DRIVER INFORMATION</b>
<b>SECTION 9F</b>	<b>AUDIO SYSTEMS</b>
<b>SECTION 9G</b>	<b>INTERIOR TRIM</b>
<b>SECTION 9H</b>	<b>SEATS</b>
<b>SECTION 9I</b>	<b>WATERLEAKS</b>
<b>SECTION 9J</b>	<b>WINDNOISE</b>
<b>SECTION 9K</b>	<b>SQUEAKS AND RATTLES</b>
<b>SECTION 9L</b>	<b>GLASS AND MIRRORS</b>
<b>SECTION 9M</b>	<b>EXTERIOR TRIM</b>
<b>SECTION 9N</b>	<b>FRAME AND UNDERBODY</b>
<b>SECTION 9O</b>	<b>BUMPERS AND FASCIAS</b>
<b>SECTION 9P</b>	<b>DOORS</b>
<b>SECTION 9Q</b>	<b>ROOF</b>
<b>SECTION 9R</b>	<b>BODY FRONT END</b>
<b>SECTION 9S</b>	<b>BODY REAR END</b>
<b>SECTION 9T</b>	<b>IMMOBILIZER ANTI-THEFT SYSTEM</b>
<b>SECTION 9U</b>	<b>CRUISE CONTROL SYSTEM</b>

# SECTION 9A

## BODY WIRING SYSTEM

**CAUTION:** Disconnect the negative battery cable before removing or installing any electrical unit or when a tool or equipment could easily come in contact with exposed electrical terminals. Disconnecting this cable will help prevent personal injury and damage to the vehicle. The ignition must also be in LOCK unless otherwise noted.

### TABLE OF CONTENTS

<b>Schematic and Routing Diagrams</b> ..... 9A-1 Wire Color Chart ..... 9A-1 Power Distribution Schematic ..... 9A-2 Connection Box Diagram ..... 9A-4 Fuse Block Locator (Engine) ..... 9A-4 Fuse Block Locator (Passenger Compartment) ..... 9A-5	Fuse Block Electrical Connector ..... 9A-5 Fuse Chart ..... 9A-6 Rear Harness Routing ..... 9A-8 Front Harness Routing ..... 9A-9 Floor Harness Routing ..... 9A-10 Instrument Harness Routing ..... 9A-11 Door Harness Routing ..... 9A-12
---	---

## SCHEMATIC AND ROUTING DIAGRAMS

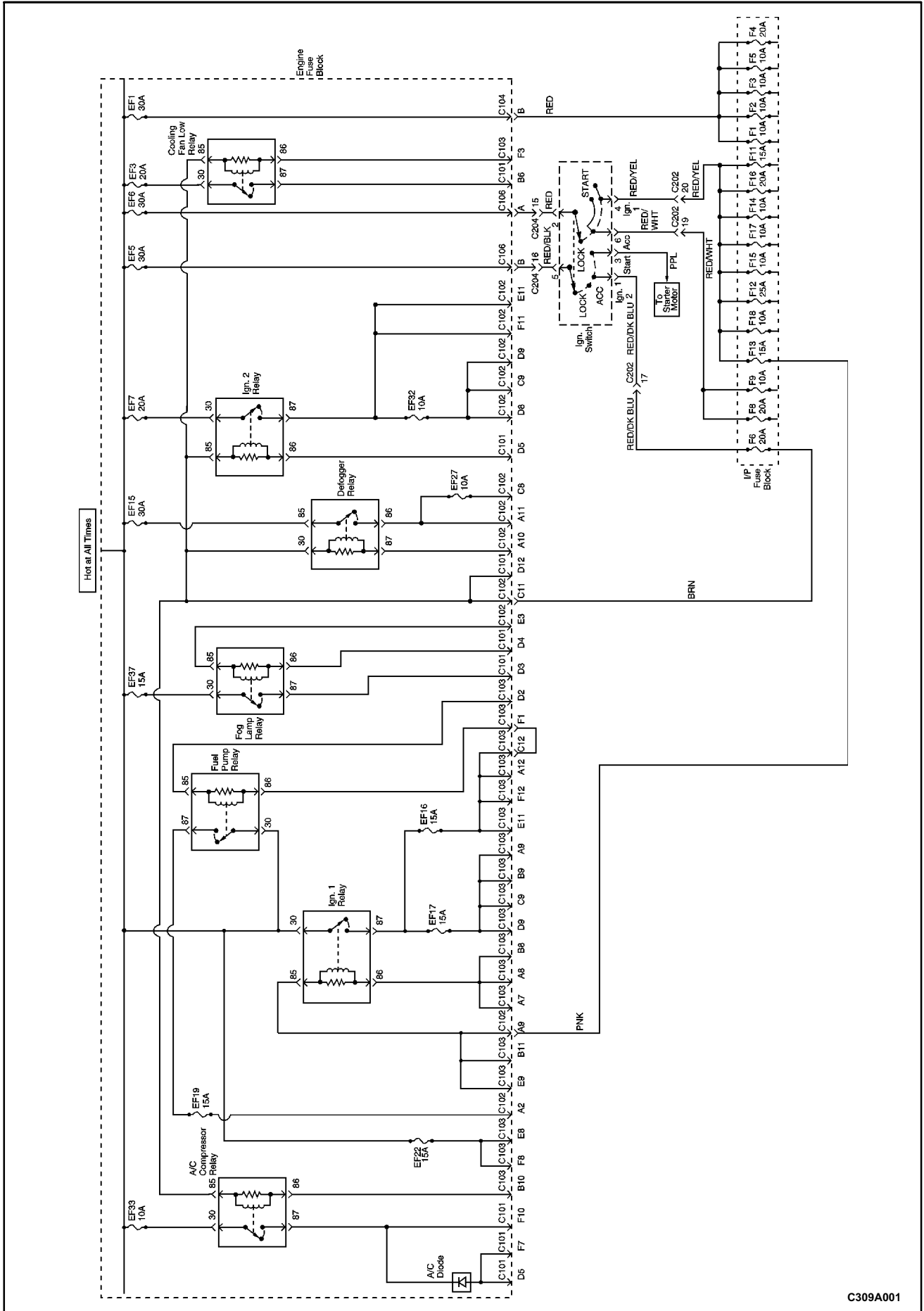
### WIRE COLOR CHART

Wire Color	Abbreviation On Schematic
Green	DK GRN
Light Green	LT GRN
Blue	DK BLU
Brown	BRN
Orange	ORN
Yellow	YEL
Grey	GRY
Sky Blue	LT BLU
Red	RED
Black	BLK
Pink	PNK
White	WHT
Purple	PPL

### Wires With Tracers

Wire Color	Abbreviation On Schematic
Red with White Tracer	RED/WHT

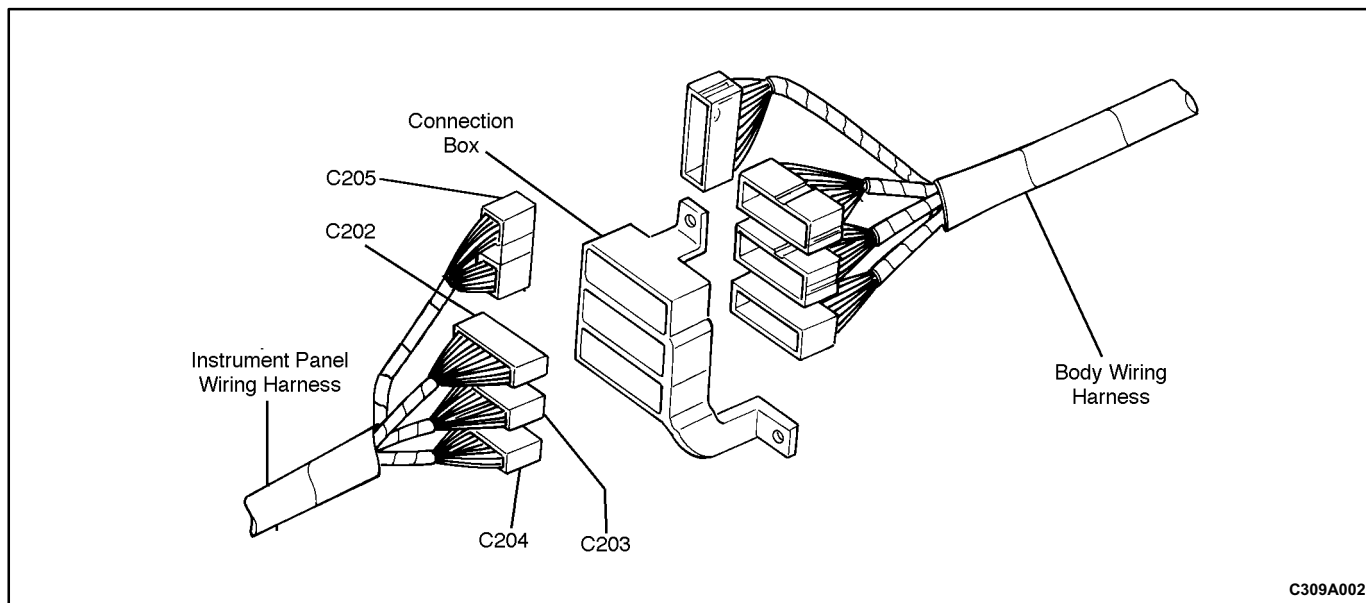
POWER DISTRIBUTION SCHEMATIC



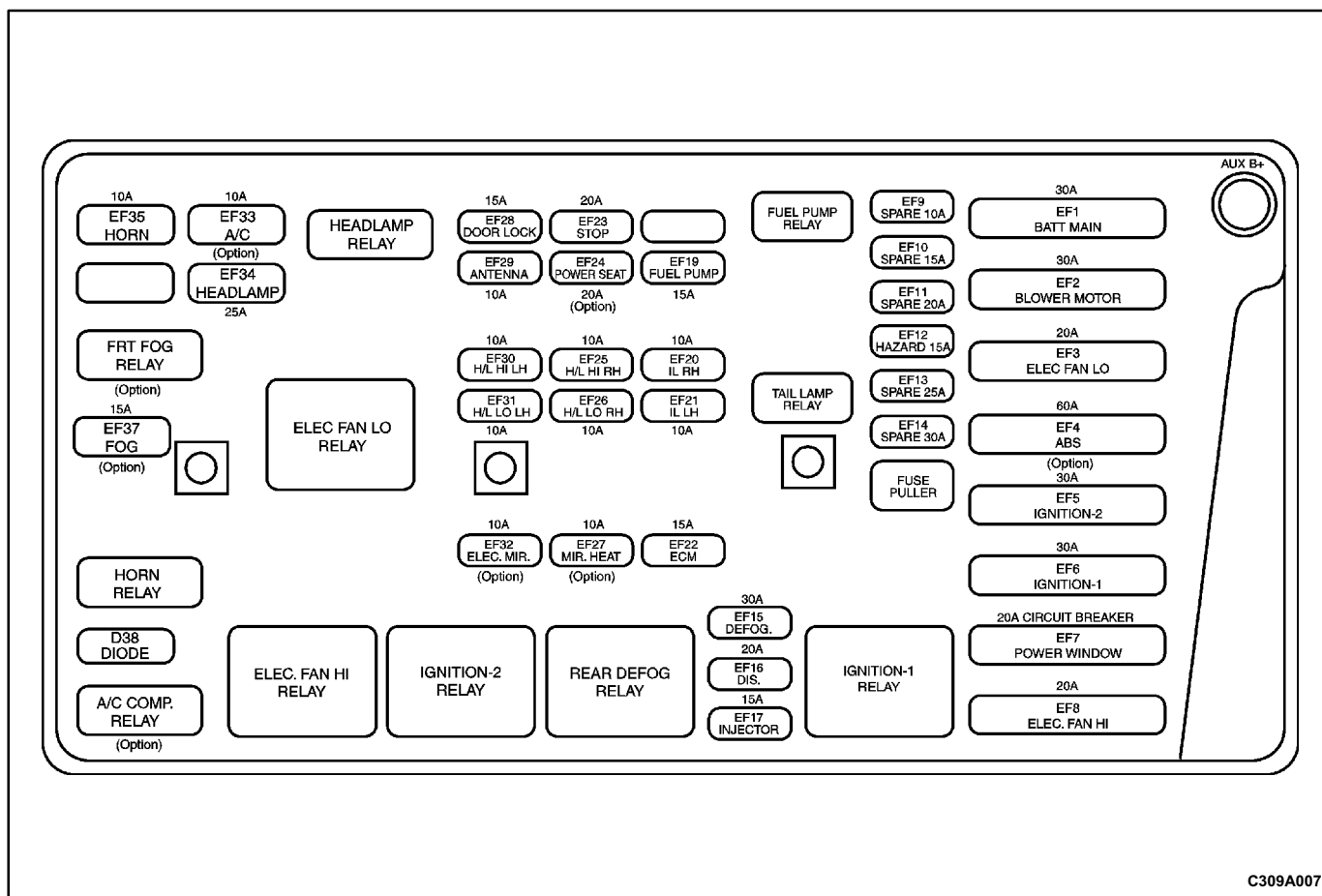
C309A001



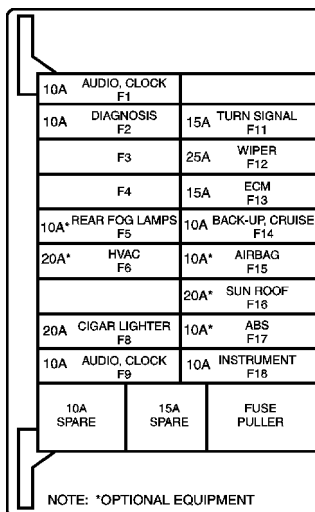
### CONNECTION BOX DIAGRAM



### FUSE BLOCK LOCATOR (ENGINE)

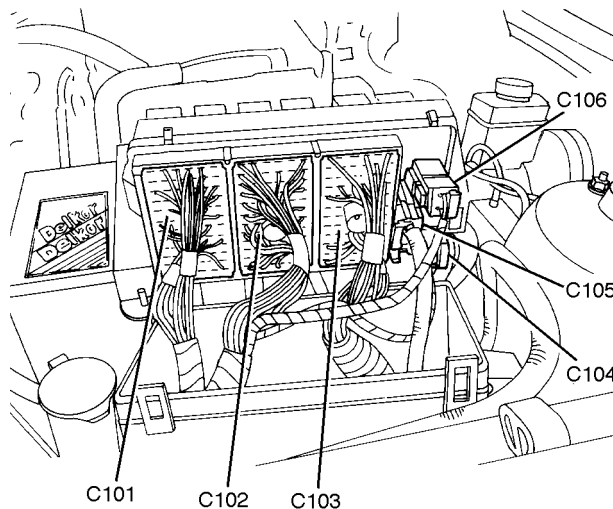


## FUSE BLOCK LOCATOR (PASSENGER COMPARTMENT)



C309A003

## FUSE BLOCK ELECTRICAL CONNECTOR



C109A007

## FUSE CHART

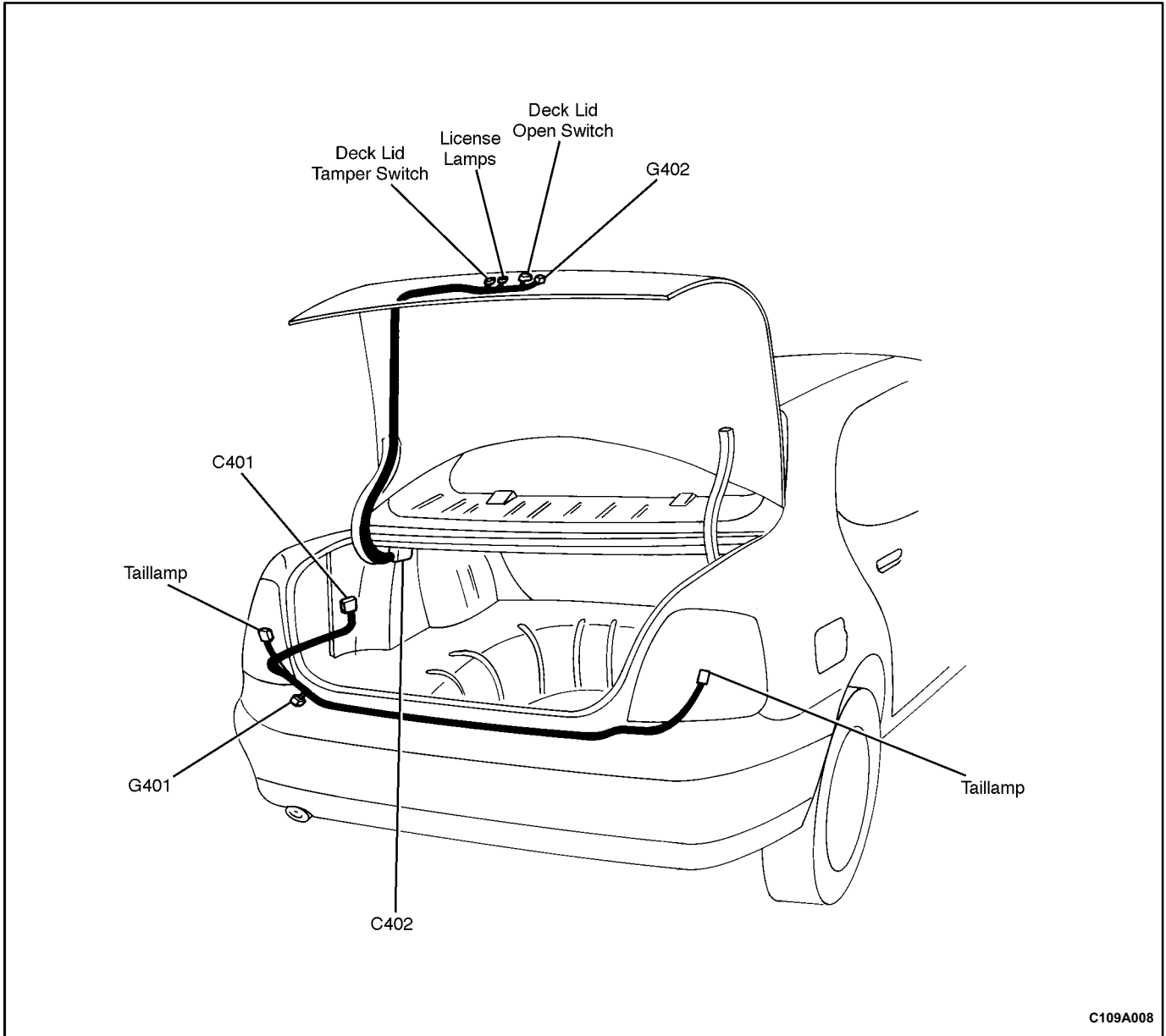
Fuse	Rating/Source		Circuit
	Rating	Source	
EF1 (Engine Fuse)	30A	BAT	Fuses F1, F2, F3, F5
EF2	30A	BAT	Blower Motor Relay, Blower Motor, Auto. Temp. Control Relay, ATC Controller
EF3	20A	BAT	Cooling Fan (Low) Relay, Aux. Cooling Fan, Cooling Fan Control Relay
EF4	60A	BAT	ABS Relay, Electronic Brake Control Module
EF5	30A	BAT	Ign 2 (Ign Key), Starter
EF6	30A	BAT	Ign 1 (Ign Key), F17, F18, ACC
EF7	20A	BAT	Ign 2 Relay, EF32, Keyless Entry System, Sun Roof, Power Window Main Switch
EF8	20A	BAT	Cooling Fan (High) Relay, Cooling Fan Control Relay, Main Cooling Fan
EF9	10A	-	Spare
EF10	15A	-	Spare
EF11	20A	-	Spare
EF12	15A	BAT	Hazard Switch
EF13	25A	-	Spare
EF14	30A	-	Spare
EF15	30A	BAT	Back Window Defogger, Defogger Relay, EF27
EF16	20A	BAT	Alternator Terminal F, Direct Ignition System Module, Fuel Pump Relay, Charcoal Canister Purge Solenoid, Engine Control Module
EF17	15A	BAT	Fuel Injectors, EGR Solenoid
EF18	-	-	Blank
EF19	15A	BAT	Fuel Pump, ALDL Connector E
EF20	10A	BAT	RH Parking Lamp, RH Position Lamp, RH Taillamp, Dimmer Control Switch, Chime Bell
EF21	10A	BAT	LH Parking Lamp, LH Position Lamp, LH Taillamp, License Lamp
EF22	15A	BAT	Engine Control Module
EF23	20A	BAT	Brake Switch, Brake Lamps, EBCM, Cruise Control, BTSI relay, BTSI Solenoid,
EF24	20A	BAT	Power seat, Power seat control switch
EF25	10A	EF12	Headlamp High LH
EF26	10A	EF12	Headlamp Low RH
EF27	10A	EF32	Electric Outside Rearview Mirror Defogger
EF28	15A	BAT	Auto Door Lock System
EF29	15A	BAT	Siren, Automatic Antenna, Ign Key Illumination, Trunk Lamp, Room Lamp, Door Step Lamp, Power Window Motor, Keyless Entry System Unit
EF30	10A	EF12	Headlamp High RH
EF31	10A	EF12	Headlamp Low LH
EF32	10A	EF7	Electric Outside Rearview Mirror Control, Map Lamp (W/O Sun Roof), Sun Roof Switch, Keyless Entry Unit
EF33	10A	BAT	A/C Compressor Relay, A/C Compressor, A/C Diode

## FUSE CHART (Cont'd)

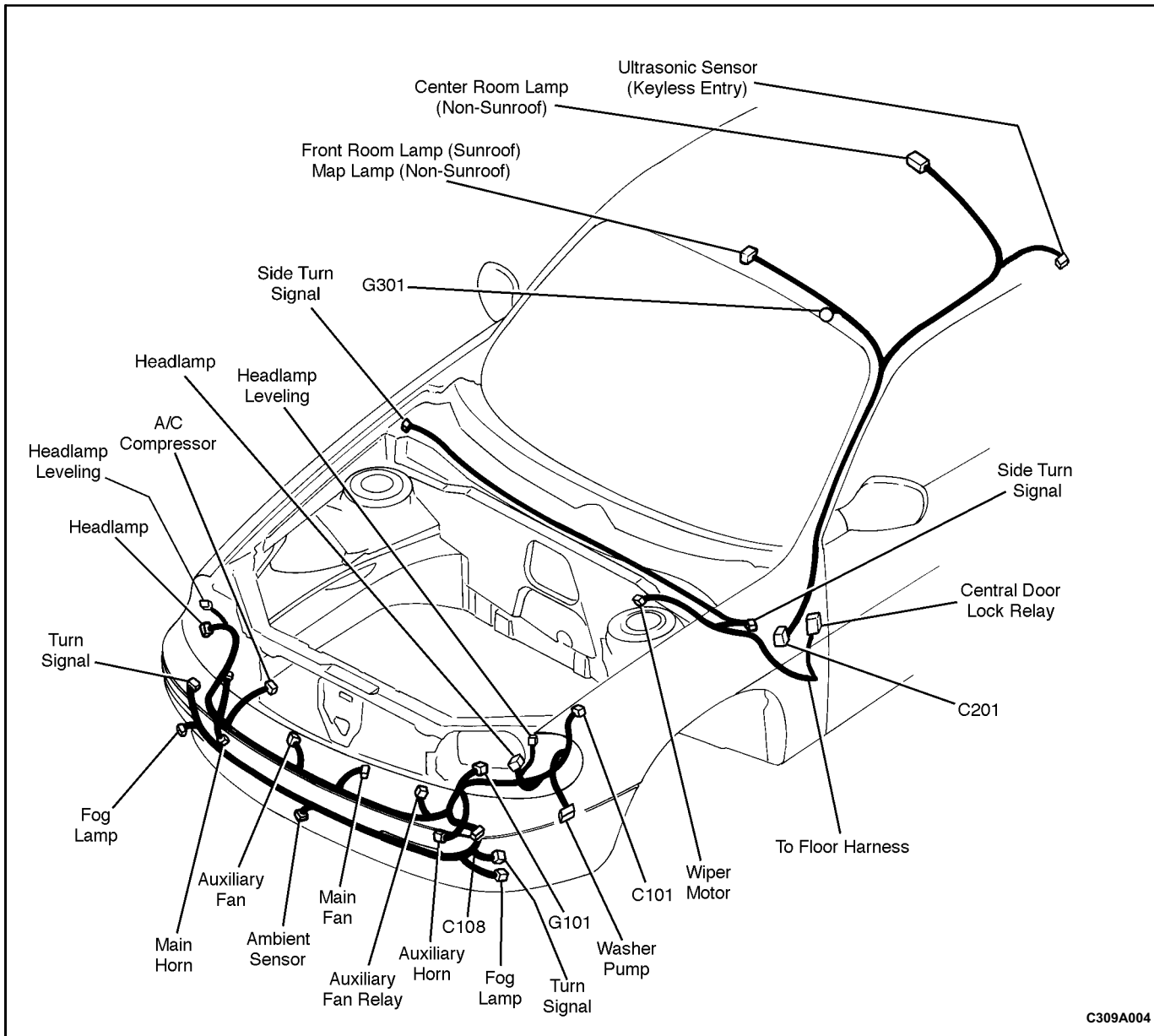
Fuse	Rating/Source		Circuit
	Rating	Source	
EF34	25A	BAT	Headlamp Relay, EF30, EF25, EF31, EF26, High Beam Indicator Switch, Headlamp Switch, Illumination Relay
EF35	10A	BAT	Horn System
EF36	-	-	Blank
EF37	15A	BAT	Fog Lamp Relay, LH and RH Front Fog Lamps
F1□ (Fuse)	10A	EF1	Audio System, Clock, Key Remind Switch, Chime Bell, Ashtray Illum., Trunk Switch, Door Switch, ATC Controller
F2□	10A	EF1	ALDL
F3□	10A	EF1	Immobilizer
F5□	10A	EF1	Rear Fog Lamp Relay, Rear Fog Lamp
F6□	20A	EF5 (Ign 2)	Ign 2 Relay, Cooling Fan (High) Relay, Cooling Fan (Low) Relay, A/C Compressor Relay, A/C Switch, Cooling Fan Control Relay, ECM., Blower Motor Relay, Auto. Temp. Control Relay, Defogger Relay, ATC Controller
F8□	20A	EF6 (Acc)	Cigar Lighter, Glove Box Lamp, Glove Box Switch
F9□	10A	EF6 (Acc)	Audio System, Clock
F11	15A	EF6 (Ign 1)	Turn Signal/Hazard Switch
F12	25A	EF6 (Ign 1)	Wiper/Washer System
F13	15A	EF6 (Ign 1)	Engine Control Module, Ign 1 Relay, Vehicle Speed Sensor
F14	10A	EF6 (Ign 1)	Backup Switch, Backup Lamps, Defogger, ATC Controller, Seat Belt Switch
F15	10A	EF6 (Ign 1)	Supplemental Inflatable Restraint System
F16	20A	EF6 (Ign 1)	Sun Roof Module, Sun Roof Motor (if equipped)
F17	10A	EF6 (Ign 1)	Electronic Brake Control Module
F18	10A	EF6 (Ign 1)	Instrument Cluster, Chime Bell, Brake Switch, ATC. Controller, Vehicle Speed Sensor, ECM, Brake Transaxle Shift Interlock Solenoid, PRND Switch, Speed Sensitive Power Steering Module, Octane Switch Connector, EBCM



## REAR HARNESS ROUTING

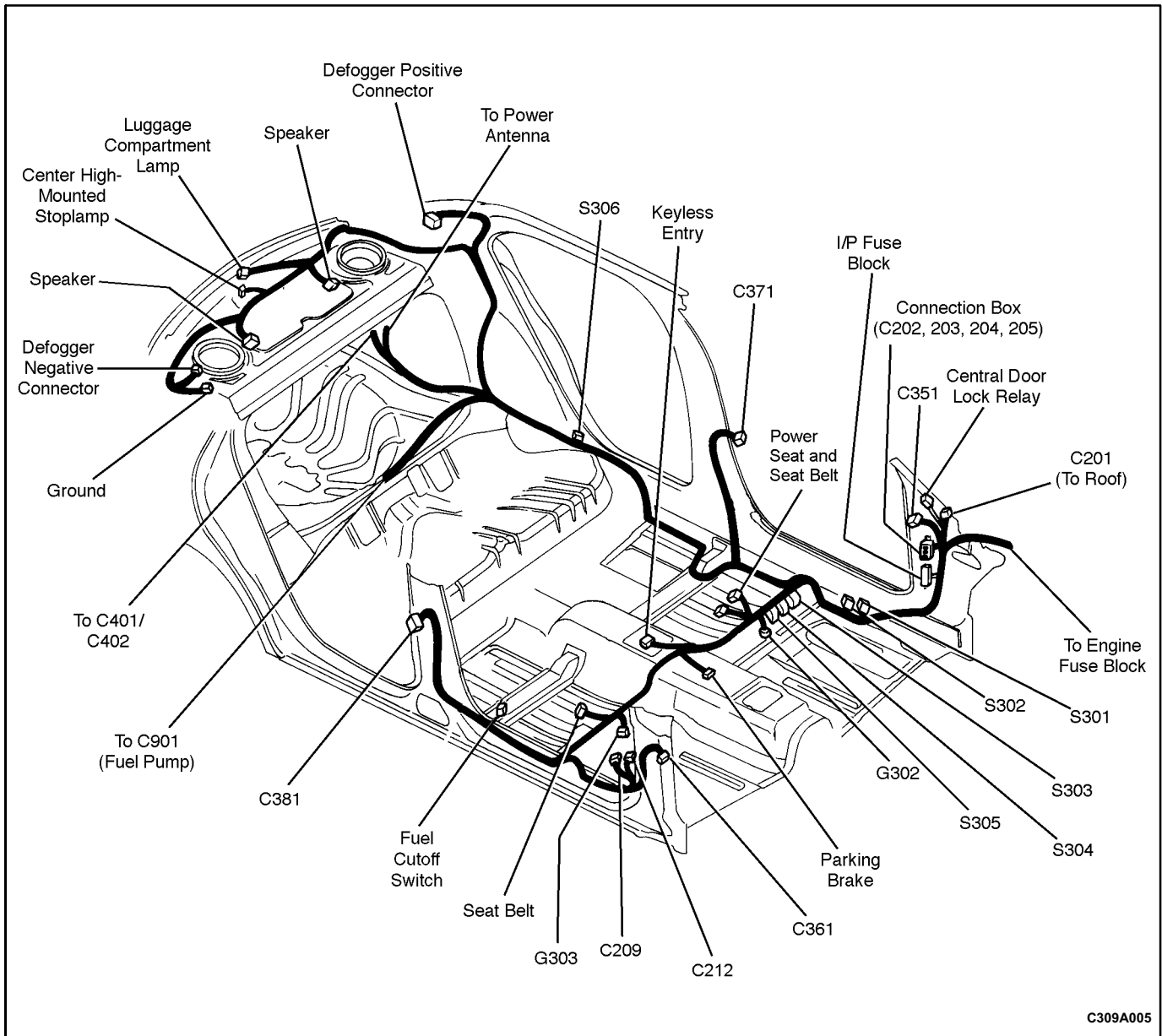


### FRONT HARNESS ROUTING



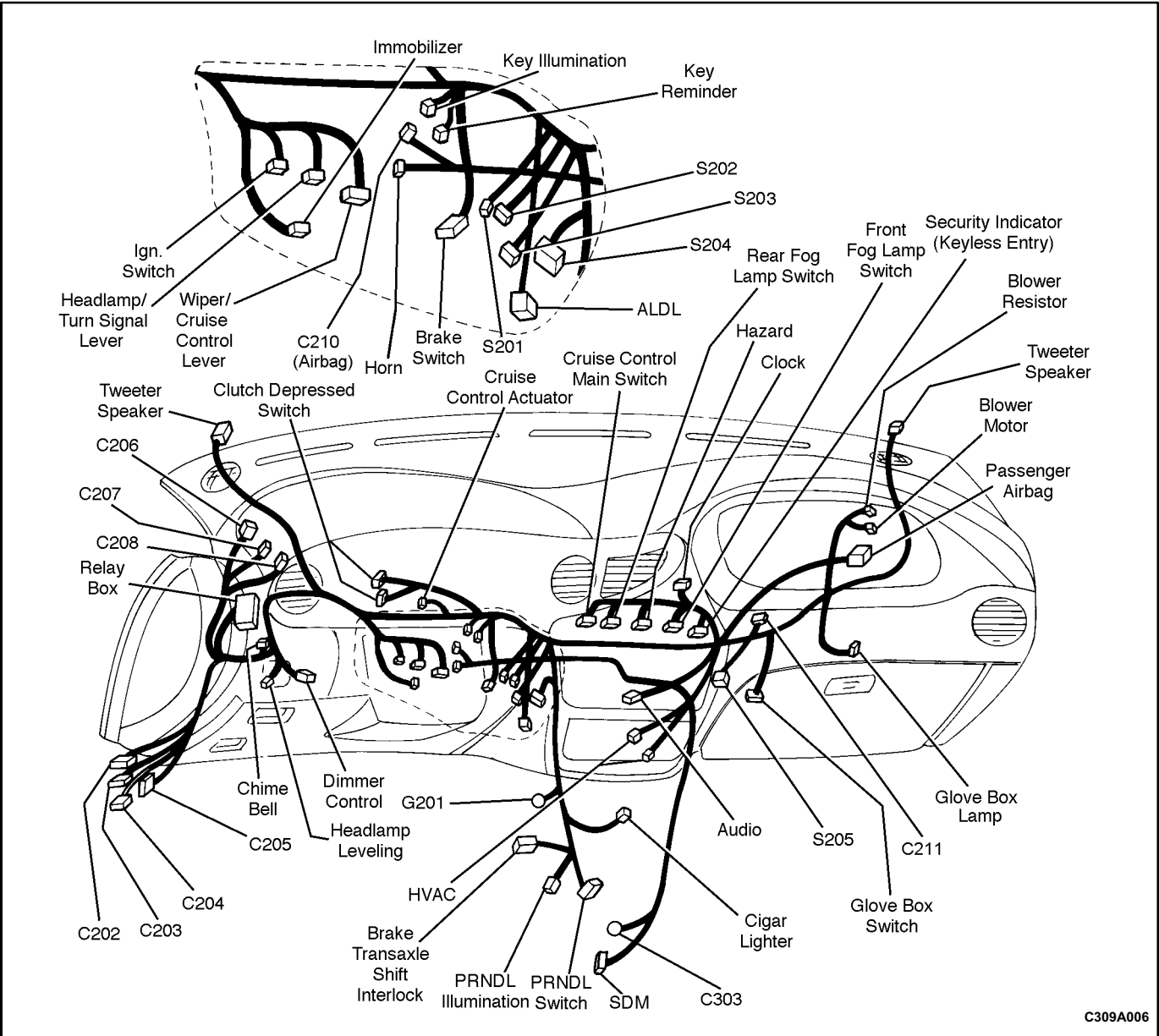
C309A004

## FLOOR HARNESS ROUTING



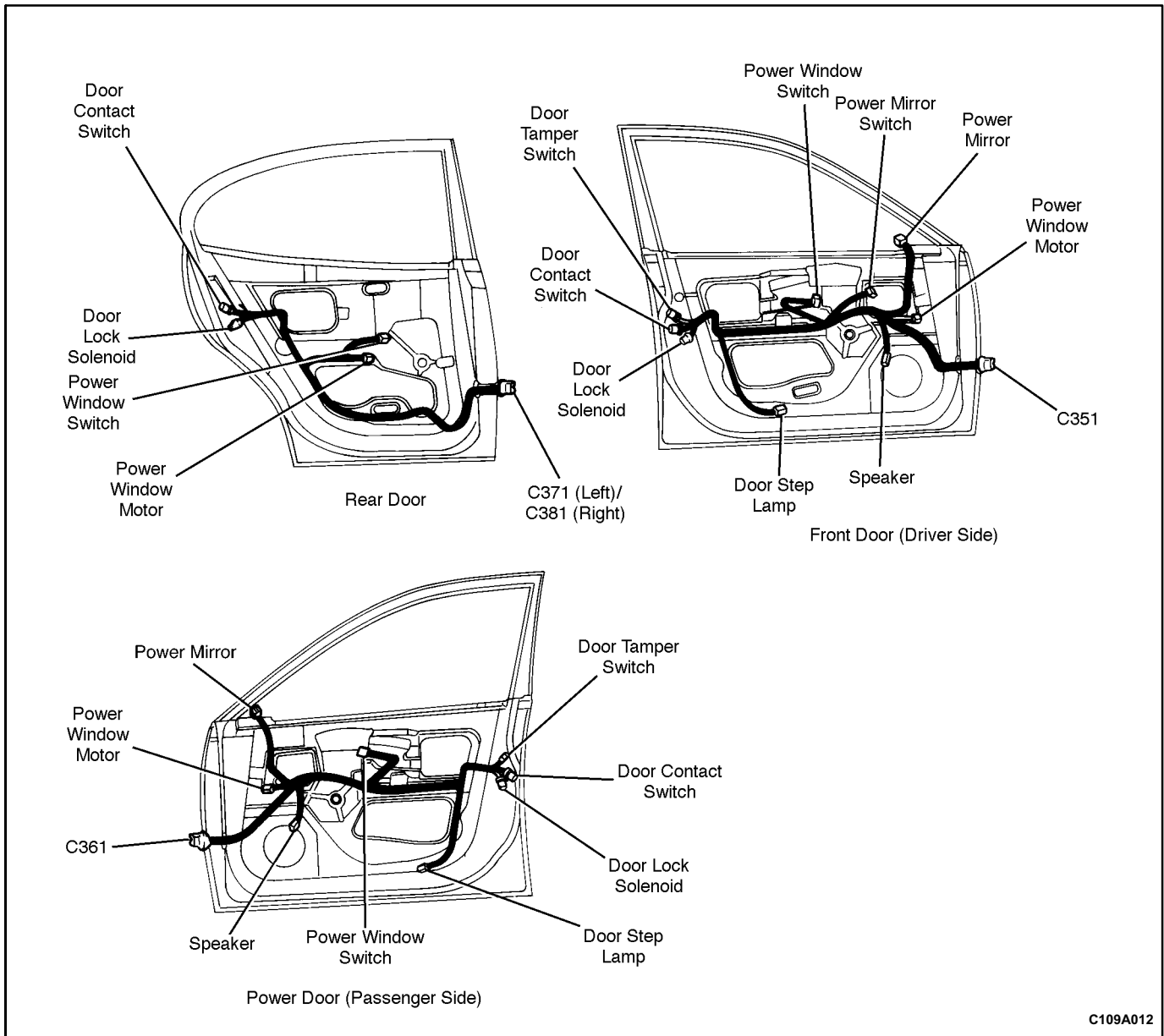
# INSTRUMENT HARNESS ROUTING

((Left-Hand Drive Shown, Right-Hand Drive Similar))



C309A006

## DOOR HARNESS ROUTING



C109A012